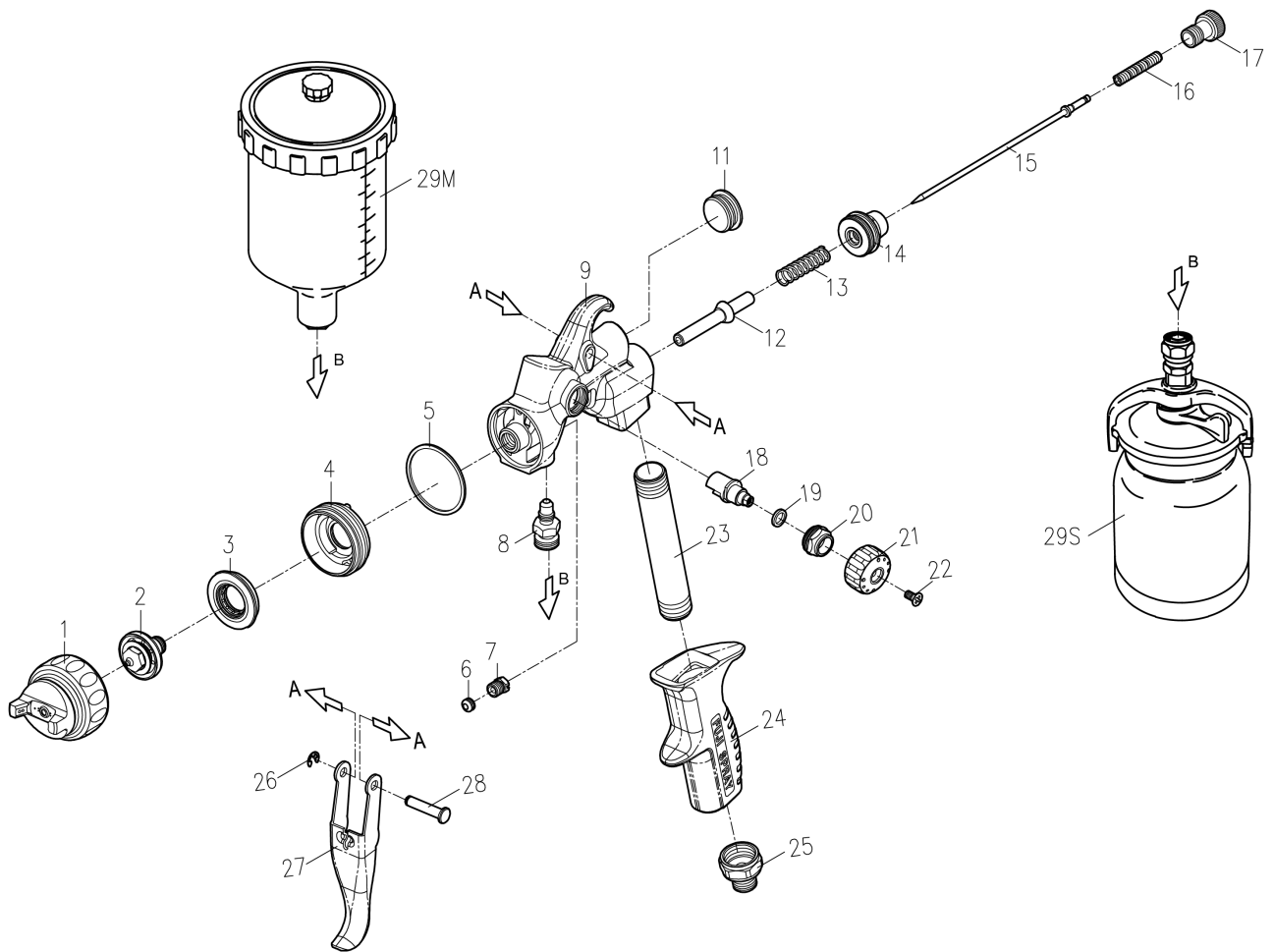


PARTS DIAGRAM

MPX-30™



PARTS DIAGRAM

MPX-30™

| ITEM | PART | NAME | NOTE |
|------|------|-----------------------------|------|
| 1 | - | Air Cap & Collar | * |
| 2 | - | Fluid Nozzle | * |
| 3 | 6303 | Air Distributor | ** |
| 4 | - | Air Diffuser | X |
| 5 | - | Air Diffuser Seal | X |
| 6 | 6306 | Needle Packing | ** |
| 7 | 6307 | Needle Packing Nut | ** |
| 8 | - | Fluid Coupler - Bottom Fed | X |
| 9 | - | Gun Body | X |
| 10 | - | Fluid Coupler - Gravity Fed | X |
| 11 | - | Rear Barrel Plug | X |
| 12 | 6312 | Spindle Valve | ** |
| 13 | 6313 | Valve Spring | ** |
| 14 | 6314 | Fluid Screw Nut | ** |
| 15 | - | Needle | * |
| 16 | 6316 | Needle Spring | ** |
| 17 | 6317 | Fluid Control Knob | ** |
| 18 | 6318 | Air Deflector | *** |
| 19 | 6319 | Deflector Seal | *** |
| 20 | 6320 | Control Knob Nut | *** |
| 21 | 6321 | Pattern Control Knob | *** |
| 22 | 6322 | Locking Screw | *** |
| 23 | - | Handle Tube | X |
| 24 | - | Handle | X |
| 25 | - | Air Connector | X |
| 26 | 6326 | Trigger Retaining Ring | |
| 27 | 6327 | Trigger | |
| 28 | 6328 | Trigger Pin | |

NOTE

(X) Part not to be removed

(*) Part only available together as a full Air Cap Set (#6300MPX-)

(**) Part available with Rebuild Kit (#6382)

(***) Part available in Pattern Control Assembly (#6383)